



TILLEY

STORMLIGHT Model X246B

TABLE LAMP Model TL120A

Your Tilley Lamp is easy to use and will provide you with a safe, bright, economical, portable and stormproof source of light. By following the instructions and lighting the lamp two or three times, to gain experience, when you need to use your Tilley Lamp, it will be a simple operation.

USE ONLY CLEAN PARAFFIN (KEROSENE).

NEVER USE PETROL (GASOLENE). IT WILL CAUSE A SERIOUS ACCIDENT.

No oil burning apparatus of any kind should be used in an unventilated room. An open fireplace or a slightly opened window, or the equivalent, is sufficient.

To assemble the Stormlight

1. Insect shield (export model only) – fit on the vaporiser with rim facing downwards, and push down to bottom of vaporiser.
2. Fit the mantle. The instructions are on the mantle packet.
3. Fit burner and hood on to the vaporiser.
4. Spring handle into keyhole slots at top of frame.

NOTE: Handle is packed between inner and outer carton.

To assemble the Table Lamp

1. Check that the control cock is screwed firmly into the pillar. Turn the control knob anti-clockwise, this is the 'on' position.
2. Check that the cleaning wire is still in the vaporiser, then screw it firmly into the control cock.
3. Fit mantle. The instructions are on the mantle packet.
4. Fit globe to burner gallery. Insert globe into rim of gallery under two retainers and slacken the screw until the globe fits into position. Now tighten the screw until the globe is held loosely in position and free to expand with the heat.

THE TILLEY LAMP COMPANY LIMITED
Dunmurry . Belfast . Northern Ireland

STORMLIGHT

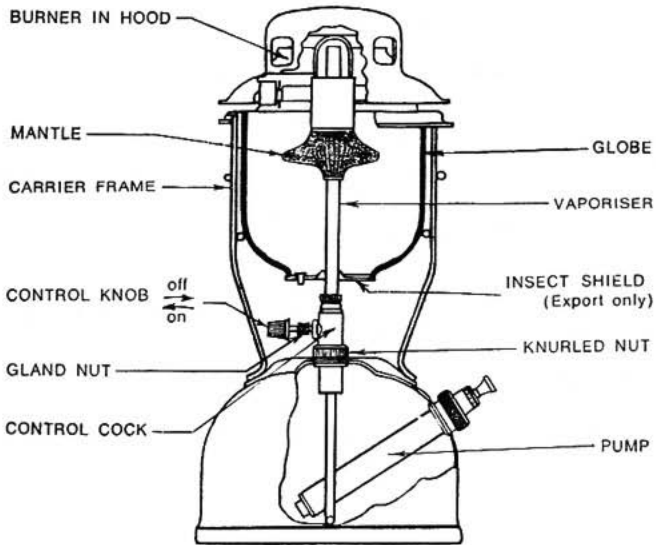
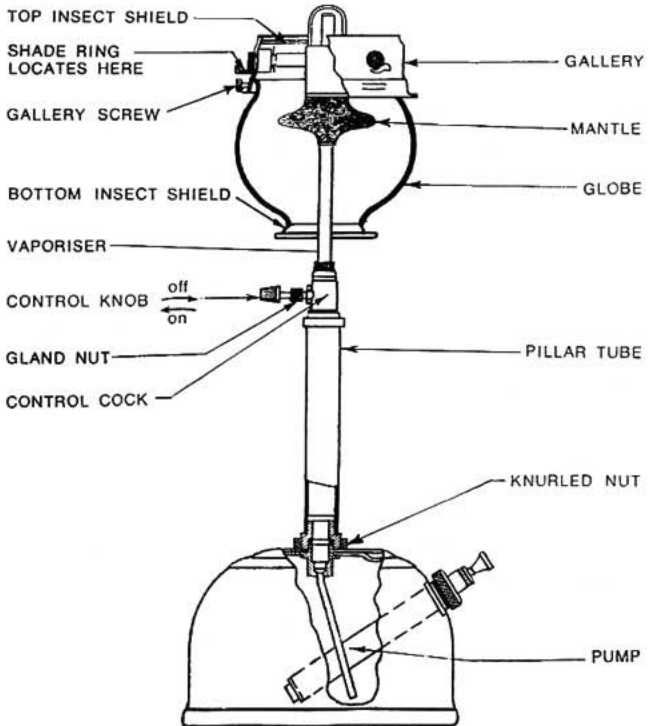


TABLE LAMP



5. Fit small insect shield on to vaporiser, with rim facing downwards and push down to the bottom of vaporiser.
6. Fit burner on to vaporiser.
7. Assemble shade. Instructions enclosed with shade.

Lighting Instructions

1. Turn off control knob (clockwise).
2. Remove pump and fill, using only *clean paraffin (kerosene)* and a *funnel fitted with a filter*, to a level just below the pump opening. Capacity about 1½ pints (0.86 litres).
3. If filling is not required, ensure any pressure is *released* by loosening the pump. Tighten again. This is important, otherwise the lamp will not light correctly.
4. Fill a small jar, or the bottle provided, with methylated spirits (alcohol). *Soak* the torch cup by immersing it in the methylated spirits (alcohol) and then clip it to vaporiser below the glass globe. Light the torch. If using an insect shield, press it down away from glass *to allow entry of torch cup*. At this point the new mantle will 'Burn off' and produce a yellow flame from out of the hood.
5. The torch will burn for about two minutes. Before it burns out, turn on the control knob (anti-clockwise) and pressurise slightly by giving eight strokes of the pump. The mantle will light up with a low 'pop'.
6. After 30 seconds pump firmly until the mantle is fully illuminated. About 90 pumps are normally sufficient for a full container. If the container is not full - 1½ pints (0.86 litres), then more pressure will be required - the less fuel, the more pumps!

NOTE: Periodic pumping is necessary to maintain a bright light.
About 40 pumps each hour.

7. Remove torch *and when cool* replace in methylated (alcohol) bottle.

To extinguish

1. Turn the control knob off (clockwise).
2. *Always release the pressure* by loosening the pump, tighten again.

NOTE: After burning the lamp for the first time, slightly tighten the gland nut on the control cock by turning it clockwise.

Operating hints

1. Not lighting properly

When lighting, should yellow flame appear at the hood *when the control knob is turned on* it simply means that the vaporiser has not been hot enough to vaporise the paraffin. It is due to one of two things:

- (a) You have not pre-heated the vaporiser sufficiently with methylated spirits (alcohol).
- (b) You have not released the pressure in the container, or too much pressure has been applied too soon.

The remedy: Extinguish by turning the control knob clockwise and follow the lighting instructions *from the beginning*.

2. If, after lighting, a pronounced pulsating and flickering of light is apparent, this can be due to lack of pressure. It can be rectified by pumping until a bright constant light is obtained.
3. Pressure should be maintained by periodic pumping – should the pressure be allowed to drop too low a light-back may occur (recognised by a roaring noise). Correct this by pumping ten times, then quickly turn the control knob off and on a few times and then pump until you have a bright light again.

4. Loss of pressure

This is usually due to a leak at a washered joint, e.g., vaporiser to control cock, gland nut on control cock, control cock to container. Tighten the connection by turning the nut clockwise.

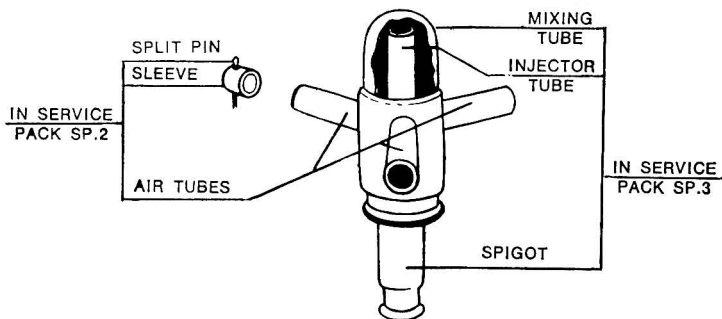
N.B.: New mantles are soft but after use become brittle and fragile.

Maintenance and replacing parts

NOTE: If the lamp is operating correctly there is no need to carry out maintenance.

BURNER 218 COMPLETE

- (a) To remove the burner from hood/gallery: Remove split pin from the sleeve and slide sleeve along air tube until it is clear from hood/gallery. Hold the burner at an angle to the hood/gallery and withdraw.



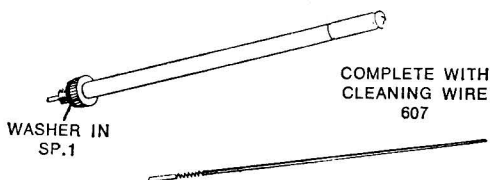
- (b) Unscrew and remove mixing tube. The inside of the burner body is now exposed. Clean the parts in paraffin (kerosene) and wipe dry with a cloth.
- (c) Ensure that the small burner holes are not blocked.
- (d) Screw mixing tube firmly into place.
- (e) If the spigot is not fitting correctly it should be renewed; unscrew to remove. Tighten the *new one firmly into position*. Smear all threads with a *little* heat resisting sealing compound such as Boss White.

To assemble burner and hood/gallery

Holding the burner at an angle to the hood/gallery slide two of the air tubes firmly into the respective holes/gauzes. The remaining air tube (with sleeve) should be lined up with the remaining hole/gauze and the sleeve placed into it. The split pin should now be fitted into the hole in the sleeve and the legs spread.

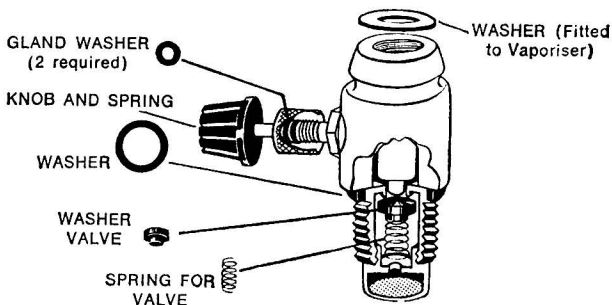
VAPORISER 606

Do not interfere with jet or cleaning wire. Replace every 500 burning hours or when the carbon on the cleaning wire or jet impairs the efficiency. The jet at the top of the vaporiser is automatically cleared by the cleaning wire when the control cock is turned off.



CONTROL COCK 777

- (a) Unscrew filter cup and rinse in paraffin.
(b) Check washer valve and spring. Clean or replace worn or damaged parts.
2. Check gland washers as follows:
 - (a) Remove knob by pulling off.
 - (b) Unscrew gland nut (anti-clockwise) and replace washers. Retighten gland nut firmly.
 - (c) Replace knob taking care that key on spindle slides into slots in knob.
 - (d) Ensure that spindle is free to move.

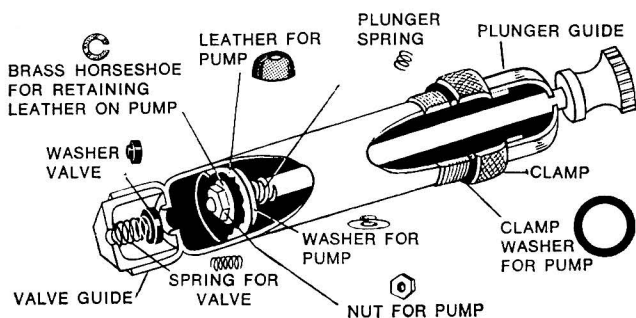


ITEMS SHOWN ABOVE ARE
IN SERVICE PACK SP. 1

PUMP 2557

- (a) Unscrew plunger guide and remove plunger from pump.
- (b) Inspect leather and ensure that it is soft, and not puckered. If it is hard apply a little lubricating oil.
- (c) See that the hexagon nut is tight.
- (d) Unscrew valve guide and inspect washer valve. See that it is clean; replace if worn.
- (e) Renew the clamp washer if necessary.

When re-assembling pump take care not to pucker the leather when re-fitting the plunger. When the pump is correctly assembled the clamp should be screwed down hard on to the threaded sleeve, and the plunger guide must be screwed firmly on top of the clamp to lock it.



SPARES COMMON TO STORMLIGHT X246B AND TABLE LAMP TL120A

BURNER	218	FUNNEL	129
COCK	777	BOTTOM INSECT	
PUMP	2557	SHIELD	1857
VAPORISER	606	SERVICE PACK	SP.1
METH TORCH	151	"	SP.2
MANTLE	164	"	SP.3
METH BOTTLE	158		

STORMLIGHT ONLY

HOOD	118
CARRIER FRAME AND	
HANDLE	3284
HANDLE ONLY	3942
RETAINING NUT	3287
GLOBE	171

TABLE LAMP ONLY

GALLERY COMPLETE	
(WITH SCREW & GAUZES)...	227
GALLERY SCREW	1851
TOP INSECT PLATE	199
GLOBE	182
COLLAPSIBLE SHADE ...	2974
RETAINING NUT	3635
SP.5 CONTAINING THREE	
GAUZES FOR BURNER	
GALLERY	